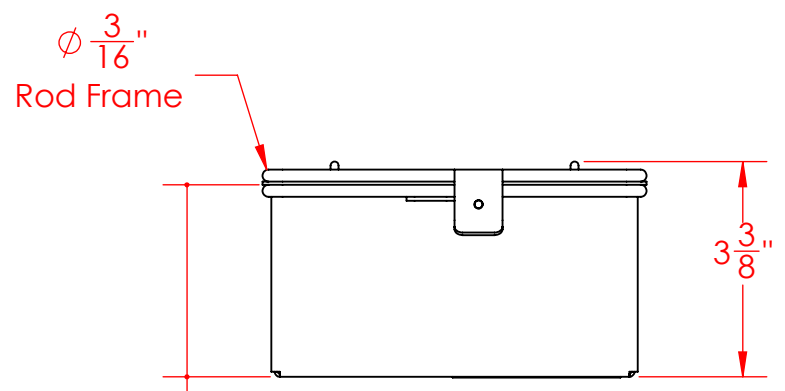
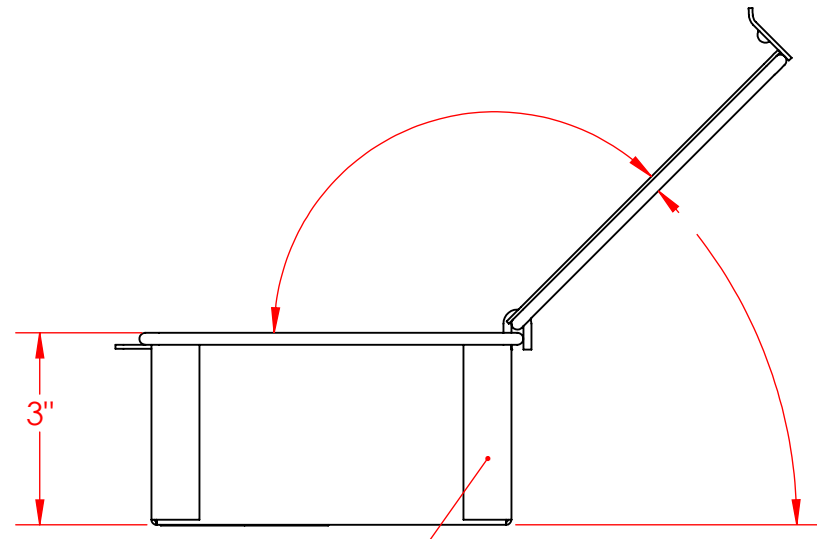


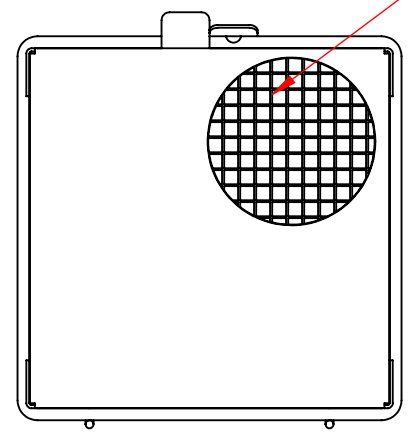
Lid Removed from View to show Approximate Inside Dimensions



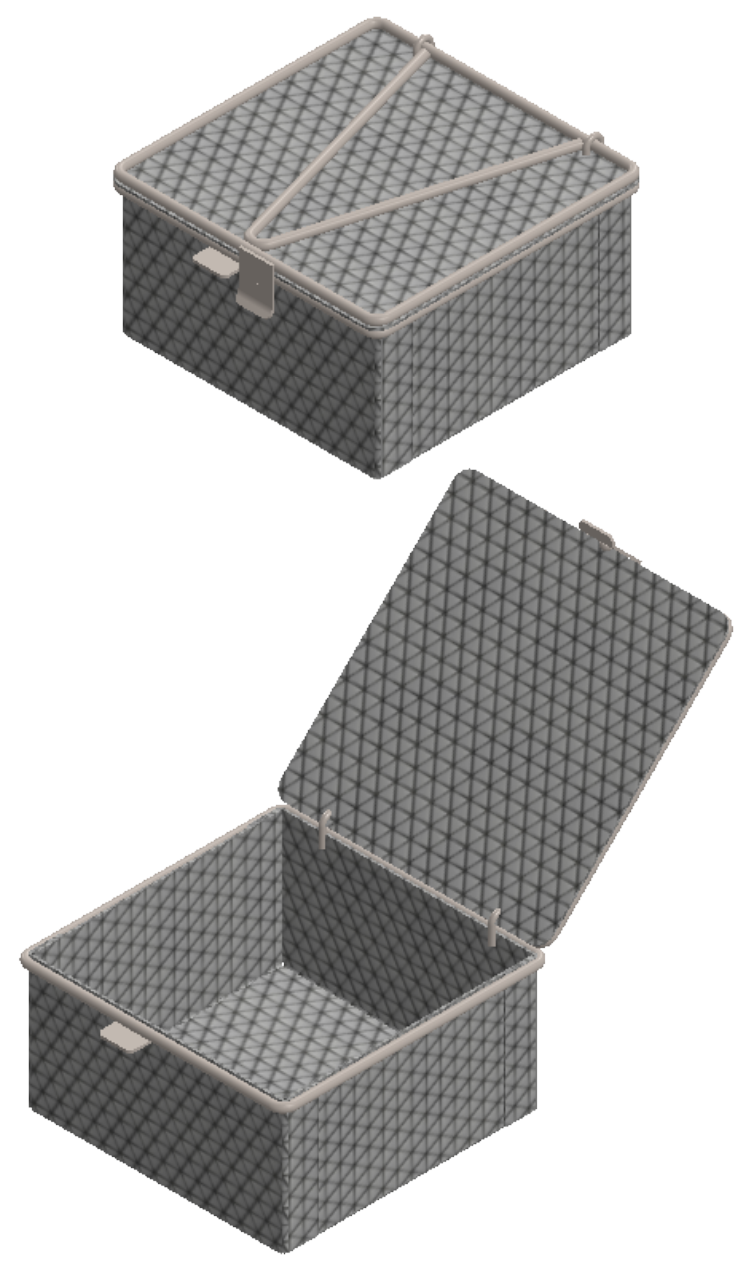
3" Height Under Lid



Mesh Flaps to Close and Secure Corners



One Piece Mesh Body of 4 Mesh x .032" Welded Wire (.218" Openings, 76% Open Area)



UNLESS OTHERWISE SPECIFIED:

DIMENSIONS ARE IN INCHES  
TOLERANCES:  
FRACTIONAL ± 1/16"  
ANGULAR: ± 5 DEG.  
TWO PLACE DECIMAL ±0.03  
THREE PLACE DECIMAL ±0.015

EST WGT  
0.7 lbs.

MATERIAL  
304 Stainless Steel

FINISH  
Natural

DO NOT SCALE DRAWING

Light Duty Mesh Basket: 6Lx6Wx3H,  
304 SS, Hinged Lid with Thumb  
Clasp, No Handles, Mesh: 4 x .032

**PROPRIETARY AND CONFIDENTIAL**

THE INFORMATION CONTAINED IN THIS DRAWING IS THE SOLE PROPERTY OF THREE M TOOL. ANY REPRODUCTION IN PART OR AS A WHOLE WITHOUT THE WRITTEN PERMISSION OF THREE M TOOL IS PROHIBITED.

SIZE **B** DWG. NO. FLB-060060030-L04S

SCALE: 1:3

SHEET 1 OF 1